



INTRODUCING

CLASSIC WORKPLACE.

Our 'Built to last' design! Robust solutions at competitive prices.



CLASSIC - WORKPLACE

Multi-purpose Lockers

CLASSIC OVERVIEW

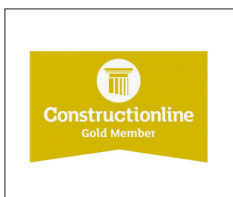
CLASSIC is our best selling range of steel lockers - robust solutions at competitive prices. Perfect for storing personal items and suitable for a variety of Industries. Our 'built to last' design offers security and is backed by lock options to meet your everyday requirements. Personalise with our range of doors, colours and accessories. CLASSIC is easy to install and easy to re-configure.

Products are made to order, so your order gets the attention to detail it deserves. Most frequently specified options are detailed, please call for alternative or bespoke requests on **02920 859600**

CLASSIC BENEFITS

- Businesses can offer as an employee benefit
- Boosts security
- Improve organisation, helps to keep main working areas free of clutter
- Encourages good practice
- Coated in antimicrobial powder paint
- Optimises space
- Optional Cloakroom / changing room equipment
- Durable and strong
- Streamline aesthetics
- Bespoke designs

Our Standards and Awards. Inspiring Confidence.



STANDARD SPECIFICATION

- Free-standing unit 1800mm High
- Steel Carcass / Steel Doors
- Standard paint finishes
- Spot welded design
- Key lock, supplied with 2 keys
- Unique one piece base
- Side gang holes - nuts + bolts supplied
- Locker doors are fitted with a vertical stiffener for added strength
- Internal fittings - detailed below
- Vents

OPTIONAL EXTRAS

- Lock options: Hasp & staple, Dual £1 coin lock, Token lock, Digital combination lock, Mechanical lock
- Numbering system
- Integral sloping top
- Locker Stands and seats (not Boot seat lockers)
- Nests of 2
- Vinyl graphic prints
- Bespoke / Premium paints

1800 HIGH LOCKERS



BOOT SEAT LOCKER

H 1800mm

Options
W 450 X D 450 + 280
W 450 X D 525 + 280

Seat depth 280mm

Fixed shelf with coat rail and 2 hooks

Top blanket / storage box option



COLLECTOR LOCKER

H 1800mm

Options
W 300 X D 450
W 375 X D 450

Top flap includes 6 hooks

Doors are paired with Dispenser lockers - specify at time of order



DISPENSER LOCKER

H 1800mm

Options
W 375 X D 450

5, 10 + 15 door options

Main door is hinged to allow access to all compartments

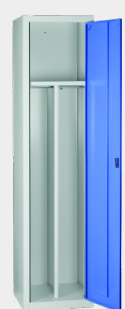


EQUIPMENT LOCKER

H 1800mm

Options
W 450 X D 450
W 450 X D 525
W 450 X D 600
W 525 X D 525
W 525 X D 600
W 600 X D 600

Includes central divider, hat shelf, coat rail and hook right side. 3 fixed shelves left side



CLEAN & DIRTY

H 1800mm

Options
W 375 X D 375
W 375 X D 450
W 375 X D 525
W 450 X D 450
W 450 X D 525
W 525 X D 525

Includes hat shelf at 350mm down from top, and a central divider to offer separate storage of clothing on 2 coat hooks.

1800 HIGH LOCKERS



WORKWEAR LOCKERS

H 1800mm

Options
W 300 X D 450
W 375 X D 450

Top door locks into lower door

The top door is for the laundry operative and Lower door for the user



TWIN LOCKER

H 1800 or 1950mm

Options
W 375 X D 450
W 375 X D 525
W 400 X D 450
W 400 X D 525
W 450 X D 450

2 person locker. Hanging compartment and small locker with paired locks



VISTA LOCKER

H 1800mm

Options
W 300 X D 300
W 375 X D 375
W 450 X D 450

Other sizes available, refer to Classic Range for sizes.

Vision panel can be 50 or 90mm wide. Perfect for security concerns and stock management



COMBINATION CLOAKROOM UNIT

W max 900mm middle section.

Bespoke options available
email [projects@](mailto:projects@garran-workspaces.co.uk)
garran-workspaces.co.uk
for your FREE quote

STEEL PAINT

DOOR / CARCASE FINISHES

Paints unless detailed below are MATT finish - 30% Gloss.
Feature BioCote antimicrobial technology which reduces the presence of microbes by up to 99.99%. BioCote is permanent and complements existing cleaning practices.



STANDARD COLOURS



BLACK
GAK-MN204E



IRIS
GAK-EJ201E



WHITE RAL 9003
GAK-MA585E



IRISH
GAK-EK280E



LIGHT GREY
GAK-EL206E



CORNFLOWER
GAK-EJ203E



POPPY
GAK-EG290E



FLINT
GAK-EL209E

PREMIUM COLOURS - OPTIONAL EXTRA - MOQ 10* Units



GRAPHITE - TEXTURE
GAK-MW333E



GLACIER
GAK-EK216E



HEATHER
GAK-EH227E



PEARL
GAK-ED204E



CHOCOLATE
GAK-EM210E



PINE
GAK-EF200E



**CLEAR LACQUER
FINISH**



REEF
GAK-EK221E



DAFFODIL
GAK-EE250E



SAND
GAK-EE220E



JAFFA
RAL 2003
*MOQ 20

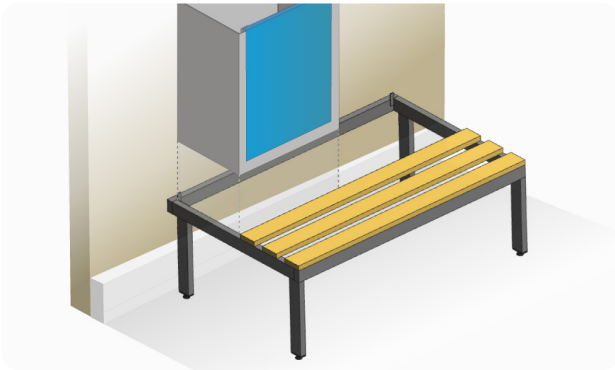
Clear lacquer, BioCote antimicrobial coating not included.

OPTIONAL EXTRA

LOCKER STAND SEATS

- Steel frame durable powder paint coated
- Frame Colour: paint from the standard Garran range
- Seat slats colours:
Ash Slats -20mm thick clear varnish
SGL standard Garran range - 10mm thick
- Seat slats fixed through via the underside of the frame
- Suitable for locker depths: 300, 375 and 450mm
- Optional extra - aluminium frame, Silver texture finish

STAND SEATS

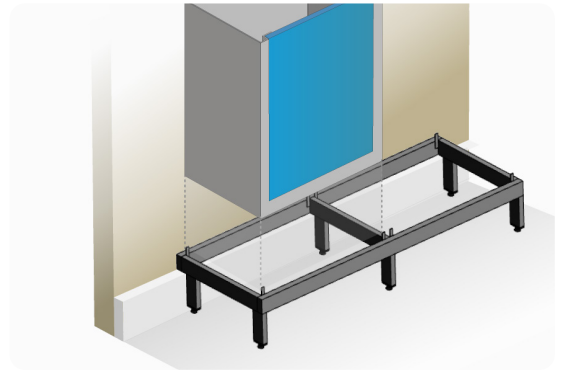


H 400mm
L 600, 750, 900, 1200, 1350, 1500, 1800mm
D 300 and 400mm

LOCKER STANDS

- Steel frame durable powder paint coated
- Frame Colour: paint from the standard Garran range
- Adjustable feet
- Welded construction
- Suitable for locker depths: 300, 375 and 450mm
- Optional extra - aluminium frame, Silver texture finish

LOCKER STANDS



H 150mm
L 300, 450, 600, 750, 900, 1125, 1200, 1350, 1500, 1800mm
D 300, 375, 450mm

SUSTAINABLE DESIGN

Ongoing investment in facilities, equipment and systems means we continuously improve business efficiency, whilst significantly enhancing the working environment for our people.

