



## INTRODUCING

CLASSIC WORKPLACE.

Our 'Built to last' design! Robust solutions at competitive prices.



## CLASSIC - WORKPLACE

Multi-purpose Lockers

### CLASSIC OVERVIEW

CLASSIC is our best selling range of steel lockers - robust solutions at competitive prices. Perfect for storing personal items and suitable for a variety of Industries. Our 'built to last' design offers security and is backed by lock options to meet your everyday requirements. Personalise with our range of doors, colours and accessories. CLASSIC is easy to install and easy to re-configure.

Products are made to order, so your order gets the attention to detail it deserves. Most frequently specified options are detailed, please call for alternative or bespoke requests on **02920 859600**

### CLASSIC BENEFITS

- Businesses can offer as an employee benefit
- Boosts security
- Improve organisation, helps to keep main working areas free of clutter
- Encourages good practice
- Coated in antimicrobial powder paint
- Optimises space
- Optional Cloakroom / changing room equipment
- Durable and strong
- Streamline aesthetics
- Bespoke designs

### COMPANY STANDARDS & MEMBERSHIPS



## STANDARD SPECIFICATION

- Free-standing unit 1800mm High
- Steel Carcass / Steel Doors
- Standard paint finishes
- Spot welded design
- Key lock, supplied with 2 keys
- Unique one piece base
- Side gang holes - nuts + bolts supplied
- Locker doors are fitted with a vertical stiffener for added strength
- Internal fittings - detailed below
- Vents

## OPTIONAL EXTRAS

- Lock options: Hasp & staple, Dual £1 coin lock, Token lock, Digital combination lock, Mechanical lock
- Numbering system
- Integral sloping top
- Locker Stands and seats (not Boot seat lockers)
- Nests of 2
- Vinyl graphic prints
- Bespoke / Premium paints

### 1800 HIGH LOCKERS



**BOOT SEAT LOCKER**

H 1800mm

Options  
W 450 X D 450 + 280  
W 450 X D 525 + 280

Seat depth 280mm

Fixed shelf with coat rail and 2 hooks

Top blanket / storage box option



**COLLECTOR LOCKER**

H 1800mm

Options  
W 400 X D 400  
W 525 X D 525

Top flap includes 6 hooks

Doors are paired with Dispenser lockers - specify at time of order



**DISPENSER LOCKER**

H 1800mm

Options  
W 375 X D 450

5, 10 + 15 door options

Main door is hinged to allow access to all compartments



**EQUIPMENT LOCKER**

H 1800mm

Options  
W 450 X D 450  
W 450 X D 525  
W 450 X D 600  
W 525 X D 525  
W 525 X D 600  
W 600 X D 600

Includes hat shelf, coat rail and hook right side. 3 fixed shelves left side

### 1800 HIGH LOCKERS



**WORKWEAR LOCKERS**

H 1800mm

Options  
W 300 X D 450  
W 375 X D 450

Top door locks into lower door

The top door is for the laundry operative and Lower door for the user



**TWIN LOCKER**

H 1800 or 1950mm

Options  
W 375 X D 450  
W 375 X D 525  
W 400 X D 450  
W 400 X D 525  
W 450 X D 450

2 person locker. Hanging compartment and small locker with paired locks



**VISTA LOCKER**

H 1800mm

Options  
W 300 X D 300  
W 375 X D 375  
W 450 X D 450

1-6 door options (as Classic Range)

Vision panel can be 50 or 90mm wide. Perfect for security concerns and stock management

Bespoke options available  
email [projects@](mailto:projects@garran-workspaces.co.uk)  
[garran-workspaces.co.uk](http://garran-workspaces.co.uk)  
for your FREE quote

## STEEL PAINT

### DOOR / CARCASE FINISHES

Paints unless detailed below are MATT finish - 30% Gloss.  
Feature BioCote antimicrobial technology which reduces the presence of microbes by up to 99.99%. BioCote is permanent and complements existing cleaning practices.



## STANDARD COLOURS



**BLACK**  
GAK-MN204E



**IRIS**  
GAK-EJ201E



**WHITE RAL 9003**  
GAK-MA585E



**IRISH**  
GAK-EK280E



**LIGHT GREY**  
GAK-EL206E



**CORNFLOWER**  
GAK-EJ203E



**POPPY**  
GAK-EG290E



**FLINT**  
GAK-EL209E

## PREMIUM COLOURS - OPTIONAL EXTRA - MOQ 10\* Units



**GRAPHITE - TEXTURE**  
GAK-MW333E



**GLACIER**  
GAK-EK216E



**HEATHER**  
GAK-EH227E



**PEARL**  
GAK-ED204E



**CHOCOLATE**  
GAK-EM210E



**PINE**  
GAK-EF200E



**CLEAR LACQUER**  
FINISH



**REEF**  
GAK-EK221E



**DAFFODIL**  
GAK-EE250E



**SAND**  
GAK-EE220E



**JAFFA**  
RAL 2003  
\*MOQ 20

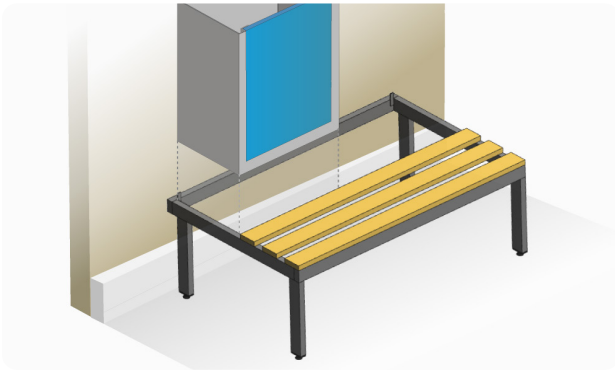
Clear lacquer, BioCote antimicrobial coating not included.

## OPTIONAL EXTRA

### LOCKER STAND SEATS

- Steel frame durable powder paint coated
- Frame Colour: paint from the standard Garran range
- Seat slats colours:  
Ash Slats -20mm thick clear varnish  
SGL standard Garran range - 10mm thick
- Seat slats fixed through via the underside of the frame
- Suitable for locker depths: 300, 375 and 450mm
- Optional extra - aluminium frame, Silver texture finish

STAND SEATS

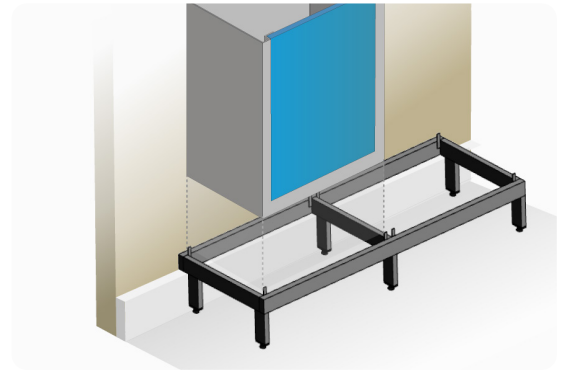


H 400mm  
L 600, 750, 900, 1200, 1350, 1500, 1800mm  
D 300 and 400mm

### LOCKER STANDS

- Steel frame durable powder paint coated
- Frame Colour: paint from the standard Garran range
- Adjustable feet
- Welded construction
- Suitable for locker depths: 300, 375 and 450mm
- Optional extra - aluminium frame, Silver texture finish

LOCKER STANDS



H 150mm  
L 300, 450, 600, 750, 900, 1125, 1200, 1350, 1500, 1800mm  
D 300, 375, 450mm

## SUSTAINABLE DESIGN

Ongoing investment in facilities, equipment and systems means we continuously improve business efficiency, whilst significantly enhancing the working environment for our people.

