



## CHANGING ROOM EQUIPMENT

Seat Stands • Cloakroom Benches • Hook Boards

### CHANGING ROOM OVERVIEW

A complete range of locker stands, stand seats, benches, cloakroom units and hook boards designed and manufactured to meet the challenging, everyday demands of Schools, Gyms, Leisure facilities and the Emergency Services.

Products are made to order, so your order gets the attention to detail it deserves. Most frequently specified options are detailed, please call for alternative or bespoke requests on **02920 859600**

### CHANGING ROOM BENEFITS

- Practical and functional
- Encourages good practice
- Optimises space
- Durable and strong
- Options for wet and dry areas
- Streamline aesthetics
- Coated in BioCote antimicrobial paint, increasing hygiene for users
- Easy to clean and virtually maintenance free

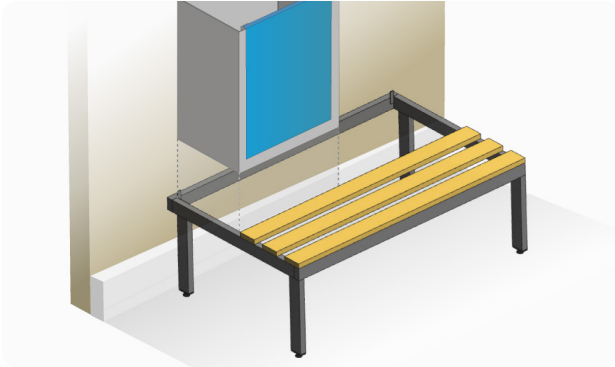
### COMPANY STANDARDS & MEMBERSHIPS



## LOCKER STAND SEATS SPECIFICATION

- Steel frame durable powder paint coated
- Frame Colour: paint from the standard Garran range
- Seat slats colours:  
Ash Slats -20mm thick clear varnish  
SGL standard Garran range - 10mm thick
- Seat slats fixed through via the underside of the frame
- Suitable for locker depths: 300, 375 and 450mm
- Optional extra - aluminium frame, Silver texture finish

STAND SEATS

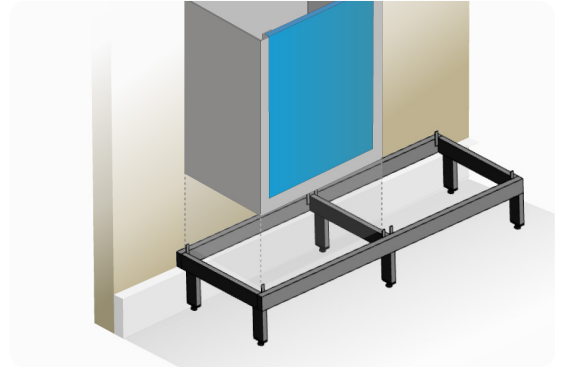


H 400mm  
L 600, 750, 900, 1200, 1350, 1500, 1800mm  
D 300 and 400mm

## LOCKER STANDS SPECIFICATION

- Steel frame durable powder paint coated
- Frame Colour: paint from the standard Garran range
- Adjustable feet
- Welded construction
- Suitable for locker depths: 300, 375 and 450mm
- Optional extra - aluminium frame, Silver texture finish

LOCKER STANDS



H 150mm  
L 300, 450, 600, 750, 900, 1125, 1200, 1350, 1500, 1800mm  
D 300, 375, 450mm

## BENCH SEATS SPECIFICATION

- Steel frame durable powder paint coated
- Frame Colour: paint from the standard Garran range
- Seat slats colours:  
Ash Slats -20mm thick clear varnish  
SGL standard Garran range - 10mm thick
- Seat slats fixed through via the underside of the frame
- Free Standing
- Optional extra - floor fixing
- Optional extra - aluminium frame, Silver texture finish

BENCH SEATS



Optional extra  
perforated  
shoe shelf

H 400mm  
L 600, 900, 1200, 1500, 1800, 2000mm  
D 300 and 400mm

Bespoke options available  
email [projects@  
garran-workspaces.co.uk](mailto:projects@garran-workspaces.co.uk)  
for your FREE quote

## CLOAKROOM BENCHES

### STANDARD SPECIFICATION

- Steel frame durable powder paint coated
- Frame Colour: paint from the standard Garran range
- Seat slats colours:  
Ash Slats -20mm thick clear varnish  
SGL standard Garran range - 10mm thick
- Seat slats fixed through via the underside of the frame
- Free Standing
- Hooks included

### SINGLE CLOAKROOM BENCH



H 1625mm  
L 600, 900, 1200, 1500mm  
D 350mm

### OPTIONAL EXTRAS

- Hook boards
- Backrest
- Wire mesh separations
- Mesh under seat storage
- Perforated metal
- Floor fixing
- Aluminium frame, Silver texture finish

### DOUBLE CLOAKROOM



H 1625mm  
L 600, 900, 1200mm  
D 650mm

Bespoke options available  
email [projects@  
garran-workspaces.co.uk](mailto:projects@garran-workspaces.co.uk)  
for your FREE quote

## HOOK BOARDS SPECIFICATION

- Board colours:  
Ash - 20mm thick clear varnish  
SGL standard Garran range - 10mm thick
- Wall fixings supplied
- Additional Hooks optional extra, centres can be adjusted to suit

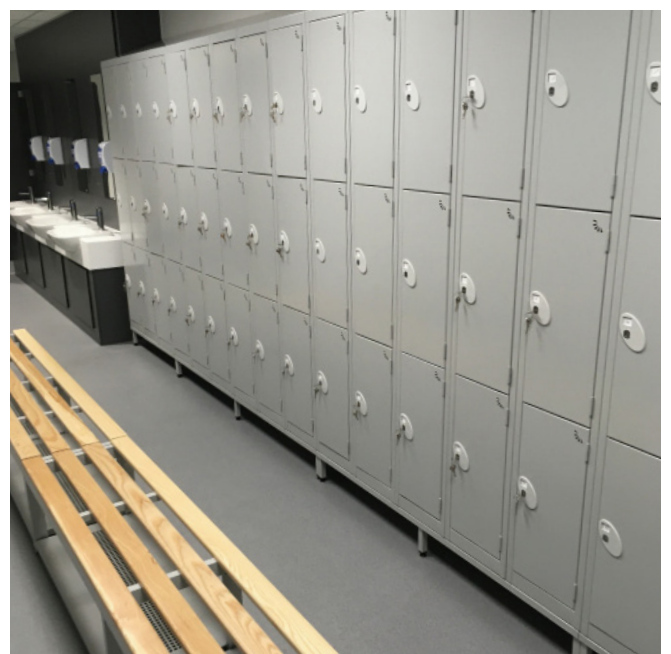
ASH  
H 110mm  
L 600 (2 hooks), 900 (3 hooks), 1200 (4 hooks)  
up to 2000mm (300mm centers)  
D 18mm

SGL  
H 140mm  
L 600 (2 hooks), 900 (3 hooks), 1200 (4 hooks)  
up to 1800mm (300mm centers)  
D 10mm

## PROJECT : THE GRANGE UNIVERSITY HOSPITAL

We are proud of our team at GARRAN for helping The Grange University Hospital open four months ahead of schedule, supporting Aneurin Bevan University Health Board in responding to winter pressures and the coronavirus pandemic.

Our recent installation and well planned phased install of 1000No. Multi-purpose steel lockers and benches look amazing in this brand new building!



## STEEL PAINT

### FRAME FINISHES

Paints unless detailed below are MATT finish - 30% Gloss.  
Feature BioCote antimicrobial technology which reduces the presence of microbes by up to 99.99%. BioCote is permanent and complements existing cleaning practices.



## STANDARD COLOURS



**BLACK**  
GAK-MN204E



**IRIS**  
GAK-EJ201E



**WHITE** RAL 9003  
GAK-MA585E



**IRISH**  
GAK-EK280E



**LIGHT GREY**  
GAK-EL206E



**CORNFLOWER**  
GAK-EJ203E



**POPPY**  
GAK-EG290E



**FLINT**  
GAK-EL209E

## PREMIUM COLOURS - OPTIONAL EXTRA - MOQ 10\* Units



**SILVER - TEXTURE**  
GAK-MW333E



**GLACIER**  
GAK-EK216E



**HEATHER**  
GAK-EH227E



**PEARL**  
GAK-ED204E



**CHOCOLATE**  
GAK-EM210E



**PINE GREEN**  
GAK-EF200E



**NEW**  
**CLEAR LACQUER**  
FINISH



**REEF**  
GAK-EK221E



**DAFFODIL**  
GAK-EE250E



**SAND**  
GAK-EE220E



**PASTEL ORANGE**  
RAL 2003  
\*MOQ 20



**SILVER**  
RAL 9006

Clear lacquer, BioCote antimicrobial coating not included.

## SGL - SLAT FINISHES

Solid Grade Laminate - 10mm, double sided decorative board designed to meet the most demanding specifications for interior applications.

Ideal for areas with high levels of humidity, and applications requiring superior hygiene and maintenance levels.

## FAST TRACK - STOCKED SGL



DUST



DARK GREY



ELECTRIC BLUE



RED DYNASTY



PEARLY WHITE



LIME



LIME YELLOW



REFRESH OAK

## SUSTAINABLE DESIGN

Ongoing investment in facilities, equipment and systems means we continuously improve business efficiency, whilst significantly enhancing the working environment for our people.

