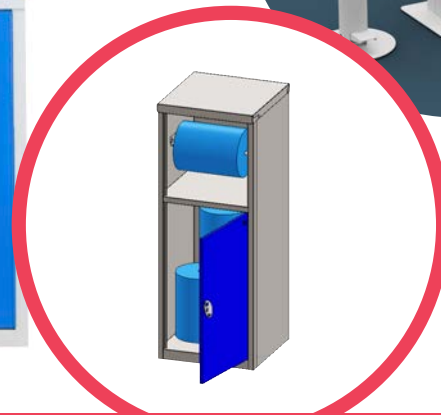


## INTRODUCING

LOGIC. Encouraging happier and healthier employees and customers.



## LOGIC

### Well-being and Hygiene Hub Range

#### LOGIC OVERVIEW

Our range of Well-being and Hygiene Hubs are suitable for numerous sectors and can help provide a clean and healthy environment. Promoting a regular cleaning schedule our Hygiene Hubs can have a great impact on organisation efficiency and help achieve results. Personalise with our range of configurations, colours and accessories. LOGIC is easy to install and easy to use.

Products are made to order, so your order gets the attention to detail it deserves. Most frequently specified options are detailed, please call for alternative or bespoke requests on **02920 859600**

#### LOGIC BENEFITS

- Encourages happier and healthier employees and customers
- Improves organisation clean efficiency
- Elevate your business brand perception, taking hygiene seriously
- Helps prevent the spread of bacteria and viruses
- The SGL worktop is tough, waterproof and high-density hygienic
- By providing a single Hygiene Hub location can help reduce the risks of trips and falls

#### COMPANY STANDARDS & MEMBERSHIPS



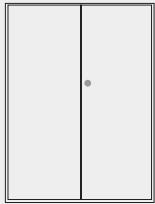
## STANDARD SPECIFICATION

- Free-standing unit
- Steel carcass / Steel inset doors
- Standard paint + board finishes
- Spot welded design
- SGL decorative top
- Rectangular drop through holes
- Plastic bin and standard fixed shelf included
- Note - see configuration detail below
- Key lock, supplied with 2 keys

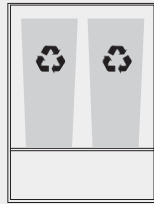
## OPTIONAL EXTRAS

- Lock option: Hasp & staple, 4 Dial Combination
- Vinyl graphic prints
- Bespoke / Premium paints and finishes
- Hygiene Hub, graphic board can be supplied based on consultation

### 800 WIDE CUPBOARD



**LOG128**  
H 1100mm  
W 800mm  
D 450mm



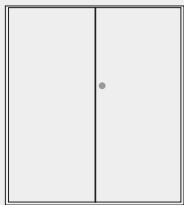
**INSIDE VIEW**  
SGL worktop  
2 Plastic bins 39Ltr  
1 Steel shelf



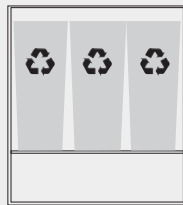
**TOP VIEW**  
2 Drop through holes



### 1000 WIDE CUPBOARD



**LOG1210**  
H 1100mm  
W 1000mm  
D 450mm

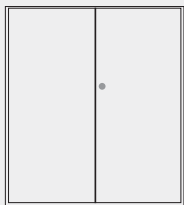


**INSIDE VIEW**  
SGL worktop  
3 Plastic bins 39 Ltr  
1 Steel shelf

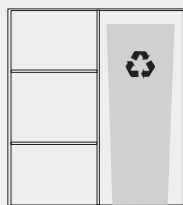


**TOP VIEW**  
3 Drop through holes

### HYGIENE HUB



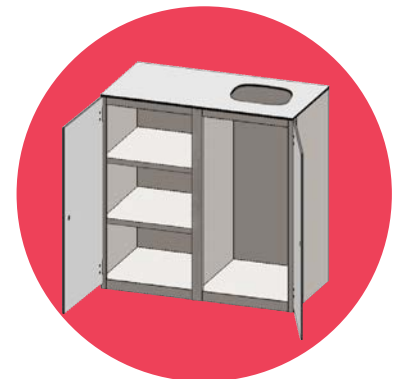
**LOG/HH/1110**  
H 1100mm  
W 1000mm  
D 450mm



**INSIDE VIEW**  
SGL worktop  
1 Plastic bin  
2 Steel shelves



**TOP VIEW**  
1 Drop through hole



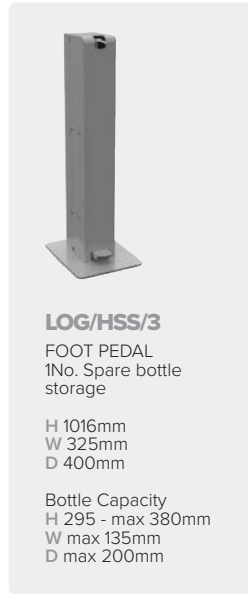
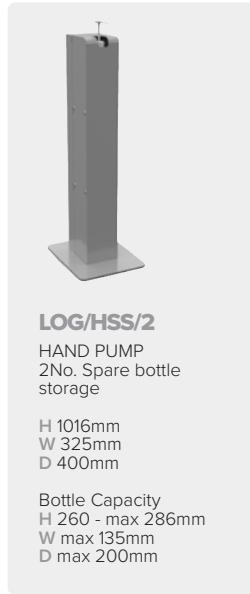
## STANDARD SPECIFICATION

- Free-standing steel unit
- Finishes; Black, White or Silver
- Options to suit your requirement, 5 litre or 1 litre, foot pedal or hand pump
- NOT supplied with bottles, pumps or sanitiser solutions
- MOQs apply

## OPTIONAL EXTRAS

- Vinyl graphic prints

### HAND SANITISER STANDS



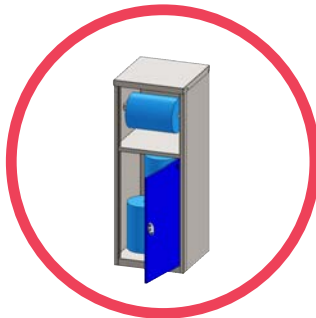
## STANDARD SPECIFICATION

- Free-standing unit
- Steel carcass / steel inset door
- Standard paint + board finishes
- Spot welded design
- Standard fixed shelf included
- Paper towel rail supplied
- Key lock, supplied with 2 keys

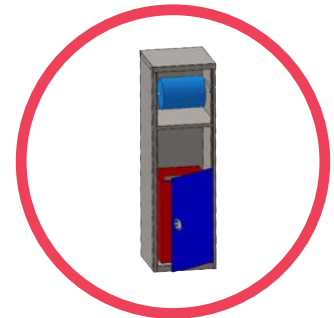
## OPTIONAL EXTRAS

- Lock option: Hasp & staple, 4 Dial Combination
- Vinyl graphic prints
- Bespoke / Premium paints and finishes

### 1200H CLEAN CUBBY



### 1500H CLEAN CUBBY



## STEEL PAINT

### DOOR / CARCASE FINISHES

Paints unless detailed below are MATT finish - 30% Gloss.  
 Feature BioCote antimicrobial technology which reduces the presence of microbes by up to 99.99%. BioCote is permanent and complements existing cleaning practices.



## STANDARD COLOURS



**BLACK**  
GAK-MN204E



**IRIS**  
GAK-EJ201E



**WHITE** RAL 9003  
GAK-MA585E



**IRISH**  
GAK-EK280E



**LIGHT GREY**  
GAK-EL206E



**CORNFLOWER**  
GAK-EJ203E



**POPPY**  
GAK-EG290E



**FLINT**  
GAK-EL209E

## PREMIUM COLOURS - OPTIONAL EXTRA - MOQ 10\* Units



**GRAPHITE - TEXTURE**  
GAK-MW333E



**GLACIER**  
GAK-EK216E



**HEATHER**  
GAK-EH227E



**PEARL**  
GAK-ED204E



**CHOCOLATE**  
GAK-EM210E



**PINE**  
GAK-EF200E



**CLEAR LACQUER**  
FINISH



**REEF**  
GAK-EK221E



**DAFFODIL**  
GAK-EE250E



**SAND**  
GAK-EE220E



**JAFFA**  
RAL 2003  
\*MOQ 20

Clear lacquer, BioCote antimicrobial coating not included.

## SGL - DOOR FINISHES

Solid Grade Laminate - 10mm, double sided decorative board designed to meet the most demanding specifications for interior applications.

Ideal for areas with high levels of humidity, and applications requiring superior hygiene and maintenance levels.

## FAST TRACK - STOCKED SGL



DUST



DARK GREY



ELECTRIC BLUE



RED DYNASTY



PEARLY WHITE



LIME



LIME YELLOW



REFRESH OAK

## SUSTAINABLE DESIGN

Ongoing investment in facilities, equipment and systems means we continuously improve business efficiency, whilst significantly enhancing the working environment for our people.

