



Sanivé™ Wash Troughs

GARRAN

Solid Surface Handwash Troughs

Stylish, hygienic and versatile handwash trough solution. Ideal for high traffic washroom areas.

Product Description:

Sanivé® Wash Troughs are manufactured from solid surface material – a non-porous blend of natural minerals and acrylic polymers such as HIMACS® or Corian®.

Ideal for high-traffic areas, their linear design promotes space efficiency.

Trough Design Options:

Flow: Thermoformed single piece seamless wash trough with covered upstand
Zen: Contemporary sloping trough base falling to continuous drain channel

Specification:

Material: 12mm Solid Surface material bonded to MR substrate
Colours: From Solid Surface Colour Selector
Waste: Single high flow grated waste per trough
Length: Up to 3600mm (recommended 600mm per tap station)

Unit Construction:

Frame: Factory constructed WBP ply sub-frame pre-fitted with push on access panels and 100mm integral factory laminated plinth

SGL Option:
Panel Spec: 13mm solid grade laminate. Profile radiused and polished edges
Colour: From Washroom Colour Selector

HPL Option:
Panel Spec: 20mm HPL faced MR MDF. 2mm ABS lipped edges
Colour: From Washroom Colour Selector

Options:

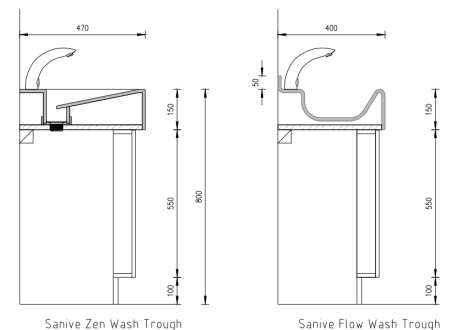
Hinged/lockable Access Panels
Internal storage cupboard
Low height to suit younger years

Design Options:

Zen Slope Trough



Flow Thermoformed Trough



GARRAN